

NEW

TP 160 MOBIL LIGHT

Wood chipper on trailer with own engine and a weight under 750 kg.

Elegant and efficient wood chipper with hydraulic intake for chipping of branches of up to 160 mm in diameter. The integrated hydraulic system and the 2 horizontal cylinders ensure a strong and problem-free intake.

TP 160 is a disc cutter where the wood is cut at an angle of 90 degrees. The heart of the machine is the two knives and the two anvils that ensure efficient wood chipping and a nice uniform chip quality.

The new design, increased capacity and improved service conditions make the TP 160 an attractive wood chipper and show that even a small machine can be used professionally.

Standard on TP 160

- Integrated hydraulic system
- Two knives
- Two anvils in Raex material
- Simple knife fitting without adjustment
- Two hydraulically powered feed rollers
- Powerful tension spring on moving rollers
- Turnable ejector tube
- Scrapers to secure against accumulation of material at the intake cylinders and in the rotor house
- Hydraulic adjustment of the roller speed
- Rotor lock to secure rotor disc at knife change
- Operation bar for start/stop/reverse of the intake cylinders
- TP PILOT stress control with hour counter
- All wearing parts can be changed with standard tools
- Extensive manual with spare parts catalogue

New initiatives:

- New elegant design
- 10 mm chip size => higher capacity
- Unencumbered access to anvil
- Improved chip quality because of the cylinders location in relation to the rotor house
- More powerful intake
- New automatic coupling system
- Easy access to motor room



TP 100

TP 160

TP 200

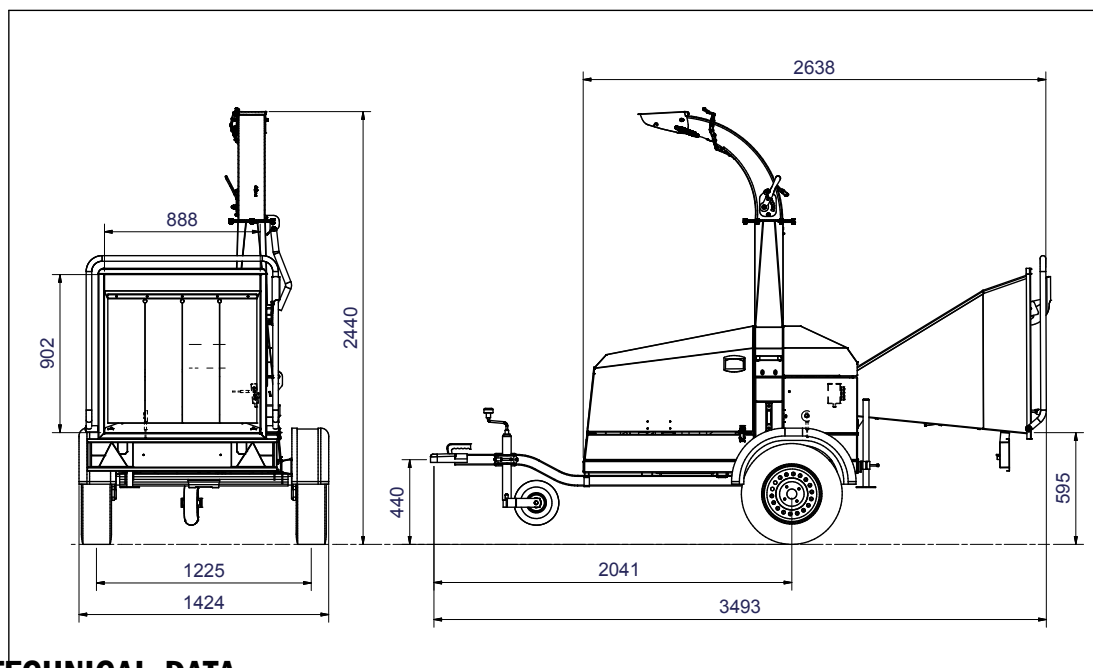
TP 250

TP 230

TP 270

TP 280

TP 400



TECHNICAL DATA

Max. wood diameter	160 mm
Max opening	H x B = 160 x 220 mm
Operation	Return/forward/stop of feed rollers through operating bar (yellow)
Chipper principle	Disc
Chipping angle	90°
In feed angle	Parallel to driving direction
In feed	2 hydraulic feed rollers, spring compressed of 1 spring 8 mm
Feed rollers	Horisontal
Rotor disc diameter	660 mm
Rotor disc - Weight in kg	85
Number of knives	2 pcs.
Chip length	Up to 10 mm (hydraulic ajustable)
Anvil/counter steel	1 horisontal and 1 vertical
Motor	Lombardini 4 cyl. watercooled with 26 kW/ 35 hp
Transmission	Automatic coupling system
Indicator and stop of motor by:	Too low oil pressure and too high temperature on cooling system
Stress control - TP PILOT	Including hour counter
Fuel consumption	3,5 liter/hour (experience number)
Tank volume	20 liter
Trailer	One axlet trailer (80 km) with drawbar and breakes, galvanized
Chip capacity	5-6 m³/hour (Experience number by manual operation)
Weight	740 kg

ACCESSORIES Please be aware, by mounting of extra equipment the weight of 750 kg can be exceeded

Extended ejector spout	500 mm vertical - 1.000 mm horisontal
Lock	Lock which can be mounted over the trailers hitch
Too set	Includes tools for daily service and maintenance
Sliver breakers	Type A, with 4 fingers